

DESCRIPTION

- Metal construction with a chrome plated, decorative antique brass, LifeShine® polished brass, sand or glacier finish
- Installed on 6" (152mm) to 16" (406mm) centers
- 1/2" IPS connections will accept standard ball nose connection for 3/8" tubing
- Diverter valve includes an integral vacuum breaker
- Includes metal pop-up type waste assembly

OPERATION

- Knob style handles
- Operate by rotating either knob counterclockwise to open and clockwise to close
- Water flow is diverted by turning the knob clockwise for rim fill and counterclockwise for rosetta spray

CARTRIDGE

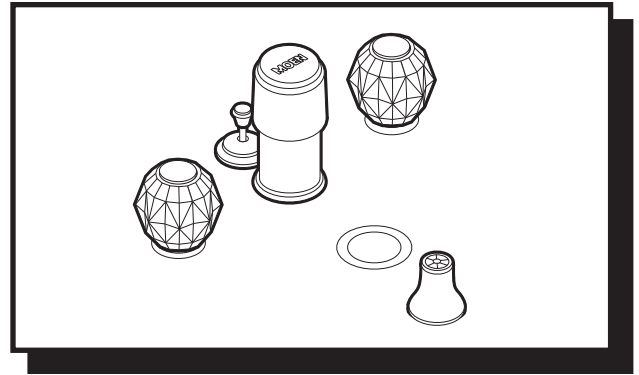
- 94831 diverter cartridge
- 1224 cartridge design for hot and cold valves
- Nonmetallic and stainless steel material

STANDARDS

- Third party certified by CSA to meet CSA B-125, ASME A112.18.1M and all requirements referenced therein

WARRANTY

- Lifetime limited warranty against leaks, drips and finish defects to the original consumer purchaser
- 5 year warranty if used in commercial installations

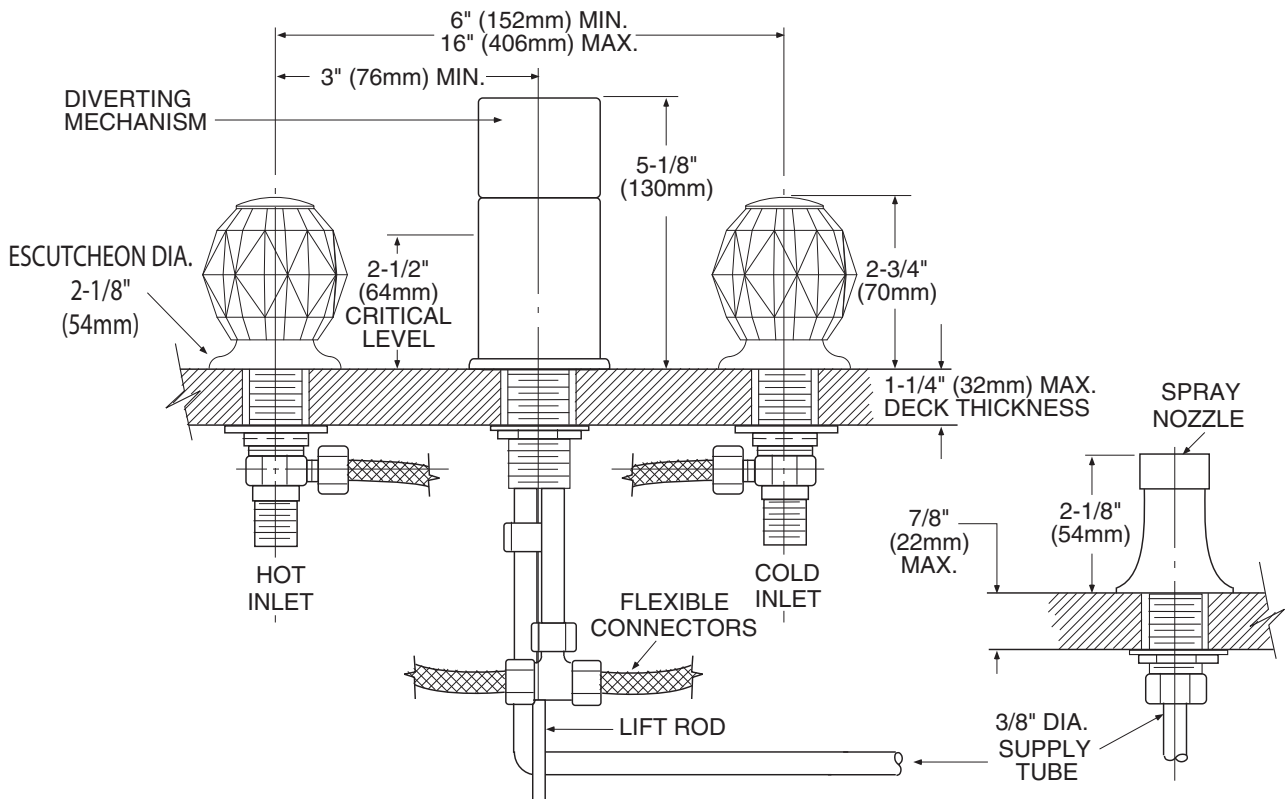


CHATEAU® Two Handle Bidet

Models: 5200, 5200A,
5200P, *5200S, 5200W

***5200S - Discontinued 2/1/2000**

NOTE: Minimum Diameter Holes for Installation
 Diverter Valve - 1" (25mm)
 Handle Valves - 1-1/8" (29mm)
 Spray Nozzle - 5/8" (16mm)
 Lift Rod Escutcheon - 1/2" (13mm)



CRITICAL DIMENSIONS

(DO NOT SCALE)

DESCRIPTION

- Metal construction with a chrome plated, decorative antique brass, LifeShine® polished brass, sand or glacier finish
- Installed on 6" (152mm) to 16" (406mm) centers
- 1/2" IPS connections will accept standard ball nose connection for 3/8" tubing
- Diverter valve includes an integral vacuum breaker
- Includes metal pop-up type waste assembly

OPERATION

- Knob style handles
- Operate by rotating either knob counterclockwise to open and clockwise to close
- Water flow is diverted by turning the knob clockwise for rim fill and counterclockwise for rosetta spray

CARTRIDGE

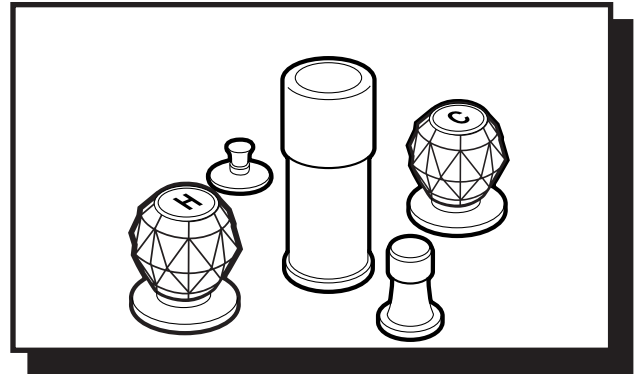
- 94831 diverter cartridge
- 1224 cartridge design for hot and cold valves
- Nonmetallic and stainless steel material

STANDARDS

- Third party certified by CSA to meet CSA B-125, ASME A112.18.1M and all requirements referenced therein

WARRANTY

- Lifetime limited warranty against leaks, drips and finish defects to the original consumer purchaser
- 5 year warranty if used in commercial installations



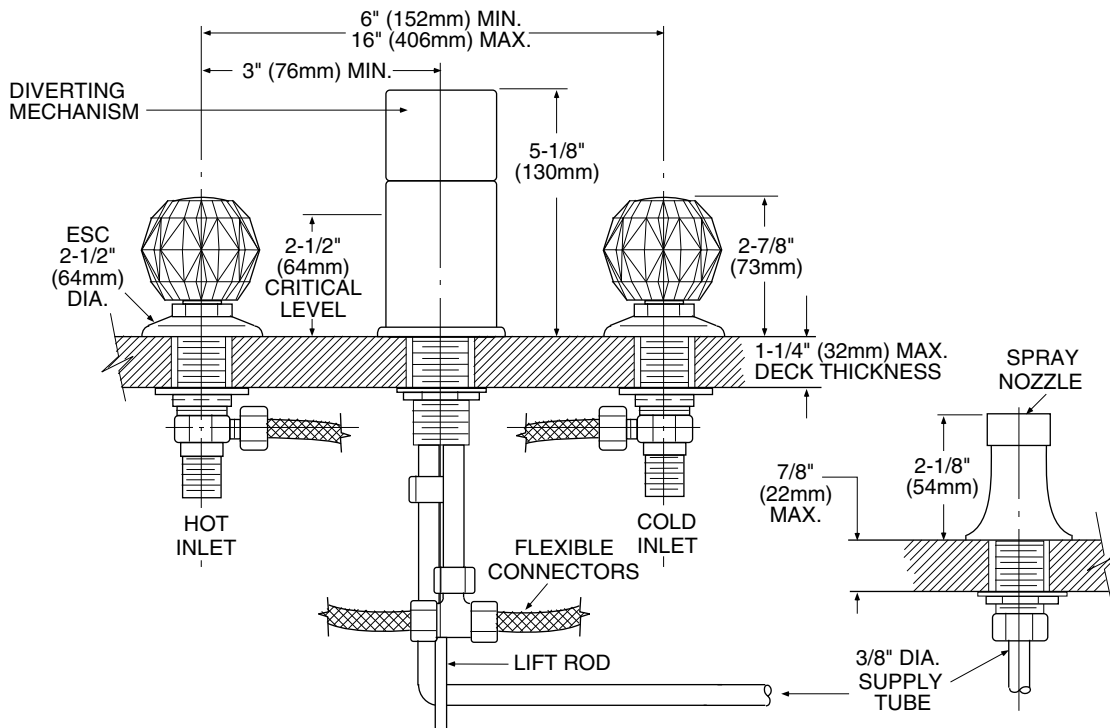
CHATEAU® Two Handle Bidet

Models: 5200, 5200A,
5200P, *5200S, 5200W

*5200S - Discontinued 2/1/2000

**NOTE: See reverse side
for illustrated parts**

NOTE: Minimum Diameter Holes for Installation
Diverter Valve - 1" (25mm)
Handle Valves - 1-1/8" (29mm)
Spray Nozzle - 5/8" (16mm)
Lift Rod Escutcheon - 1/2" (13mm)



CRITICAL DIMENSIONS

(DO NOT SCALE)