



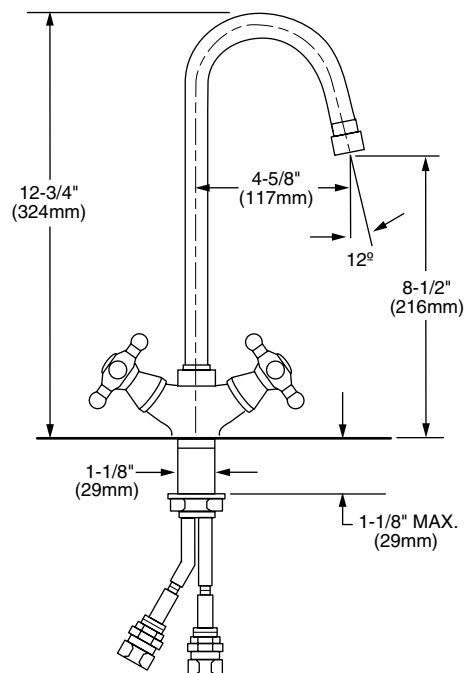
Features:

- Ceramic disc valve cartridge
- 4-1/4" Swing Spout
- Handles marked "Hot" and "Cold"
- Optional Center Plate available separately

Maximum Flow Rate: 2.2 GPM (8.3L/min)

	Handle Type	Product Number
Wet Bar Faucet	Cross	862/108
4" Center Cover Plate - 1-Hole		010/108

Available Finishes:	Finish Code
Polished Chrome	100
Old Bronze	105
UltraBrass	113
Brushed Nickel	144
Platinum Nickel	150



IMPORTANT: These measurements are subject to change or cancellation. No responsibility is assumed for use of superseded or voided pages.

CODES & STANDARDS

These products meet and exceed the following codes and standards:

ASME A112.18.1

CSA B125

NSF 61/Section 9

