

American Standard

Sevo

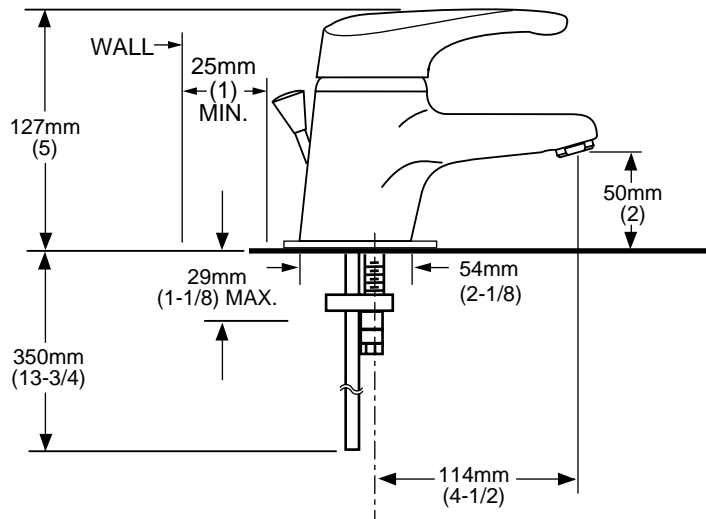
SINGLE CONTROL LAVATORY FAUCET



1480.101 Shown.

MODEL NUMBER:

- ❑ **1480.101 Lavatory Faucet**
Pop-up drain. Escutcheon plate. 3/8" copper inlets.
- ❑ **1480.100 Lavatory Faucet**
Less pop-up drain. Less pop-up hole. Escutcheon plate. 3/8" copper inlets.
- ❑ **1480.104 Lavatory Faucet**
Pop-up drain. Escutcheon plate. 3/8" copper inlets with male connectors.
- ❑ **1480.105 Lavatory Faucet**
Less pop-up drain. Less pop-up hole. Escutcheon plate. 3/8" copper inlets with male connectors.



GENERAL DESCRIPTION:

Cast brass body and brass escutcheon with all metal handle. Washerless 47mm ceramic disc valve cartridge. Choice of 13-3/4 (350mm) long, 3/8 O.D. copper supplies or with loose male connectors. 2.2 gpm/8.3L/min. maximum flow rate. Hot limit safety stop.

PRODUCT FEATURES:

Brass and Copper Waterway: Highest quality faucet materials for durability & long life.

Ceramic Disc Valve Cartridge: Assures a lifetime of drip-free performance.

Adjustable Hot Limit Safety Stop: Limits the amount of hot water allowed to mix with cold. Reduces the risk of accidental scalding.

Wide Comfort Zone: Gives more sensitive temperature control.

Low Lead: Meets NSF Standard 61/Section 9 & Prop 65 lead requirements.

Choice of Finishes: Choice of Polished Chrome or Polished Chrome with Brass Mixage.

SUGGESTED SPECIFICATION:

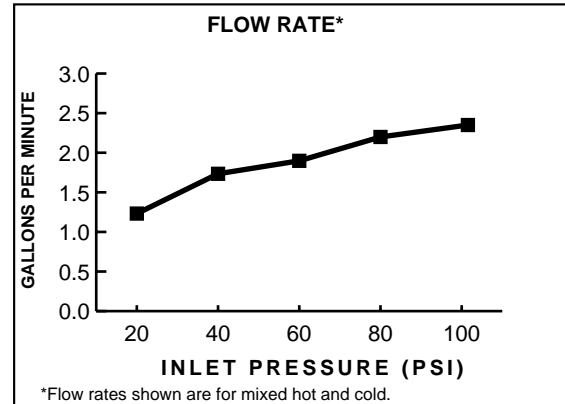
Single control lavatory fitting shall feature a cast brass body and escutcheon with all metal handle. Shall also feature washerless ceramic disc valve cartridge. Fitting shall be American Standard Model # 1480.____.____.

SINGLE CONTROL LAVATORY FAUCET

CODES AND STANDARDS


These products meet or exceed the following codes and standards:

ANSI A117.1
ASME A112.18.1M
NSF 61/Section 9



Product Number	Description	Finish Options		
		Polished Chrome	PVD Satin	PChrome /PVD Brass Mix
		002	295	299
1480.101	Lavatory Faucet. Pop-up drain. 3/8" copper inlets.			
1480.100	Lavatory Faucet. Less pop-up drain. Less pop-up hole. 3/8" copper inlets.		N/A	N/A
1480.104	Lavatory Faucet. Pop-up drain. 3/8" copper inlets with male connectors.			
1480.105	Lavatory Faucet. Less pop-up drain. Less pop-up hole. 3/8" copper inlets with male connectors.		N/A	N/A

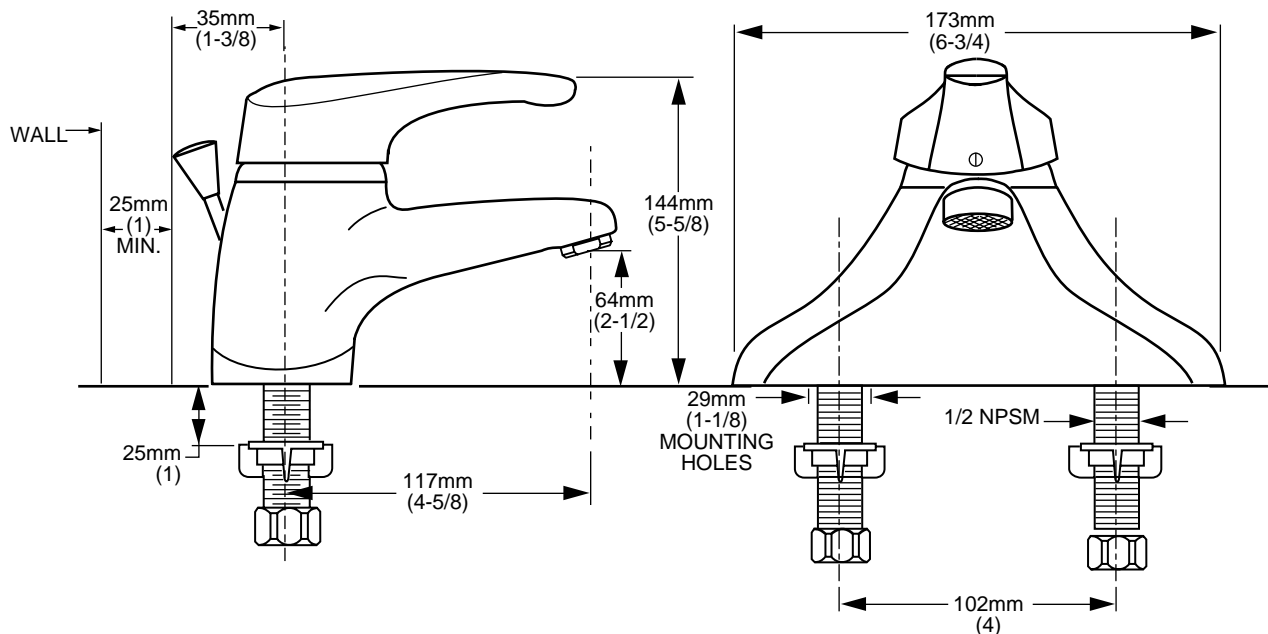
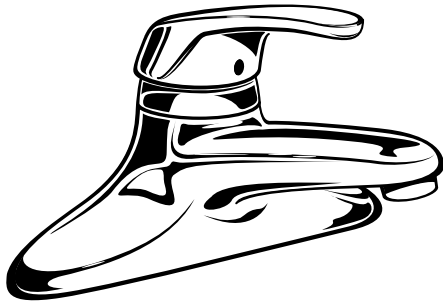
N/A = NOT AVAILABLE

 Meets the American Disabilities Act Guidelines and **ANSI A117.1** Requirements for the physically challenged.

SINGLE CONTROL LAVATORY FAUCET

MODEL NUMBER:

- 1480.110 Centerset Lavatory Faucet
Pop-up drain.
- 1480.115 Centerset Lavatory Faucet
LESS Pop-up drain. LESS hole



GENERAL DESCRIPTION:

Cast brass centerset body with metal handle. Washerless 47mm ceramic disc valve cartridge. 1/2" male threaded inlet shanks with brass coupling nuts. 2.2 gpm/8.3L/min. maximum flow rate. Fitting mounts on 4" centers. Hot limit safety stop.

PRODUCT FEATURES:

Brass Waterway: Highest quality faucet materials for durability & long life.

Ceramic Disc Valve Cartridge: Assures a lifetime of drip-free performance.

Adjustable Hot Limit Safety Stop: Limits the amount of hot water allowed to mix with cold. Reduces the risk of accidental scalding.

Wide Comfort Zone: Gives more sensitive temperature control.

Low Lead: Meets NSF Standard 61/Section 9 & Prop 65 lead requirements.

Choice of Finishes: Choice of Polished Chrome or Chrome with Brass mixage.

SUGGESTED SPECIFICATION:

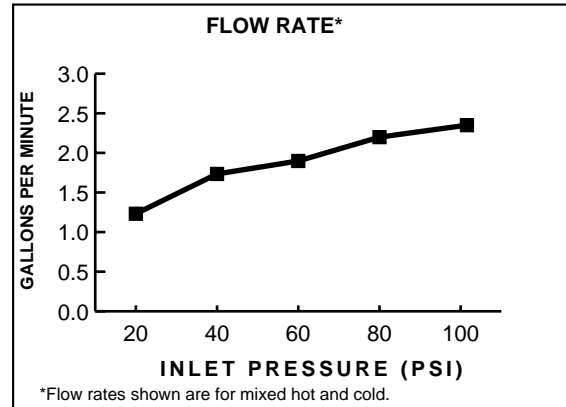
Single control centerset lavatory fitting shall feature a cast brass centerset body with all metal handle. Shall feature 1/2" male threaded inlet shanks with brass coupling nuts. Shall also feature washerless ceramic disc valve cartridge. Fitting shall be American Standard Model # 1480.110._____.

SINGLE CONTROL LAVATORY FAUCET

CODES AND STANDARDS

These products meet or exceed the following codes and standards:

ANSI A117.1
ASME A112.18.1M
CSA B 125
NSF 61/Section 9



Product Number	Description	Finish Options		
		Polished Chrome	PVD Satin	PChrome /PVD Brass Mix
		002	295	299
1480.110	Lavatory faucet. Pop-up drain.			
1480.115	Lavatory faucet. LESS Pop-up drain. LESS hole.		N/A	N/A

N/A = NOT AVAILABLE

 Meets the American Disabilities Act Guidelines and **ANSI A117.1** Requirements for the physically challenged.