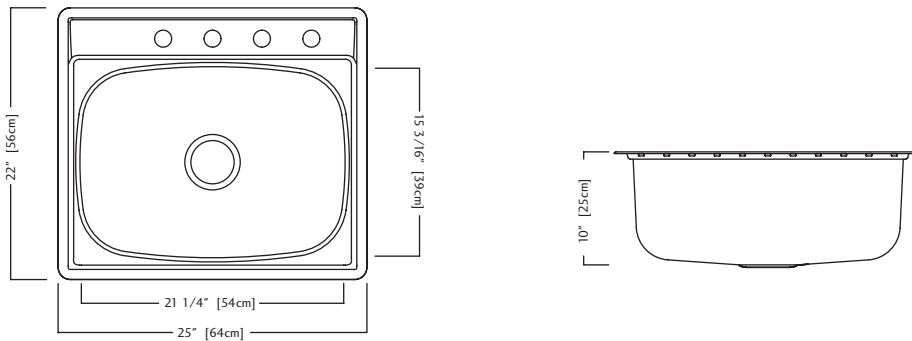




Optional Accessories



S2225/10K SPECIFICATION

Model S2225/10K is a single bowl sink with faucet ledge manufactured for Franke Consumer Products from 20 gauge stainless steel. Product has a sheen finished rim and radiant silk finished bowls. Sink is fully undercoated. Installation kit is included. Sink is backed with a limited buyer lifetime warranty.

- O.D. 22" x 25" x 10" deep (56 x 64 x 25 cm deep)
- **Recommended for minimum 27" cabinet**

S2225/10K/3 3 hole - 1 1/2" diameter, 4" center-to-center FUN# 101.0035.884

S2225/10K/4 4 hole, 4th hole on right hand side FUN# 101.0035.885

S2225/10K/1 1 hole on center FUN# 101.0035.883